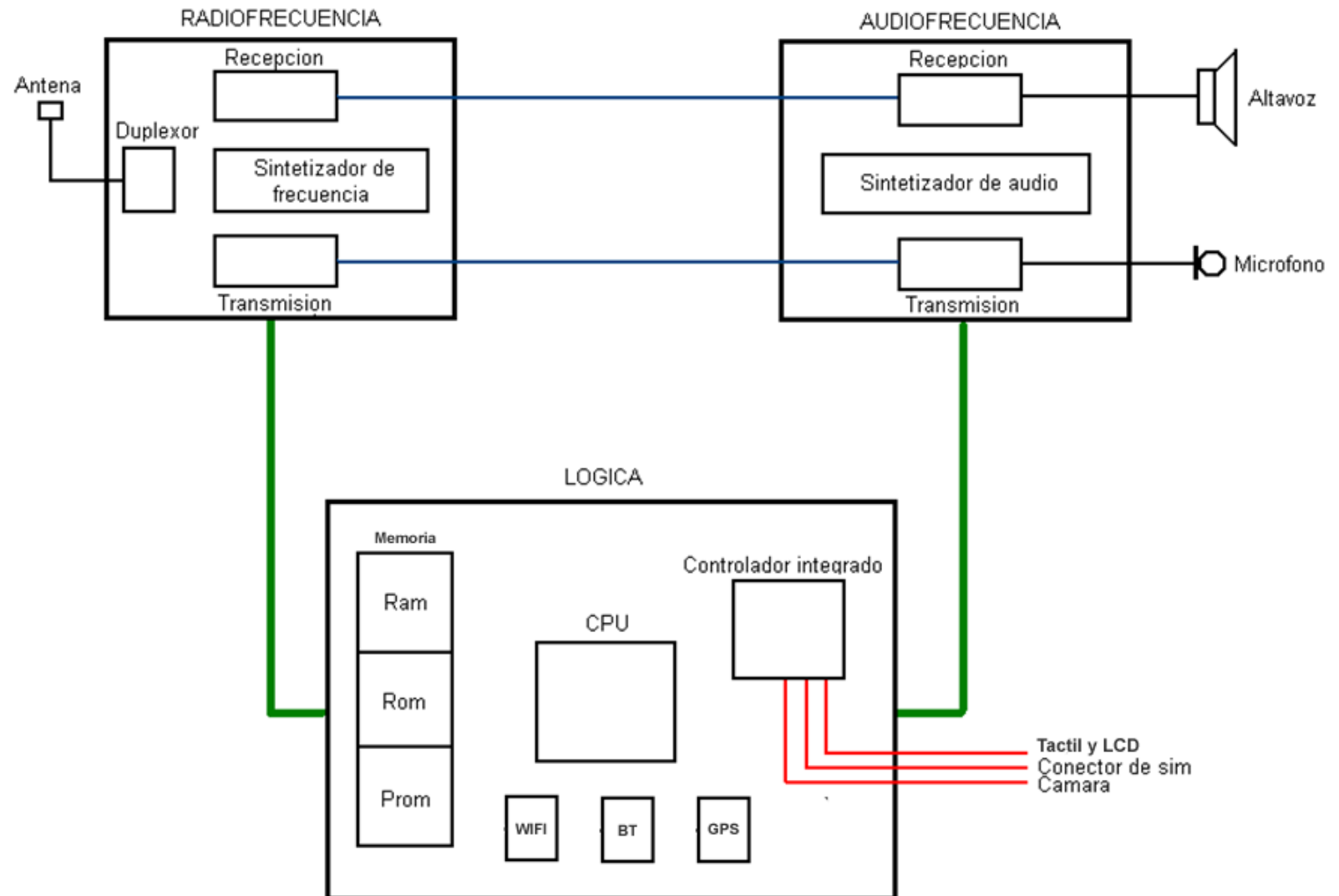


Clase 4

Principio de funcionamiento

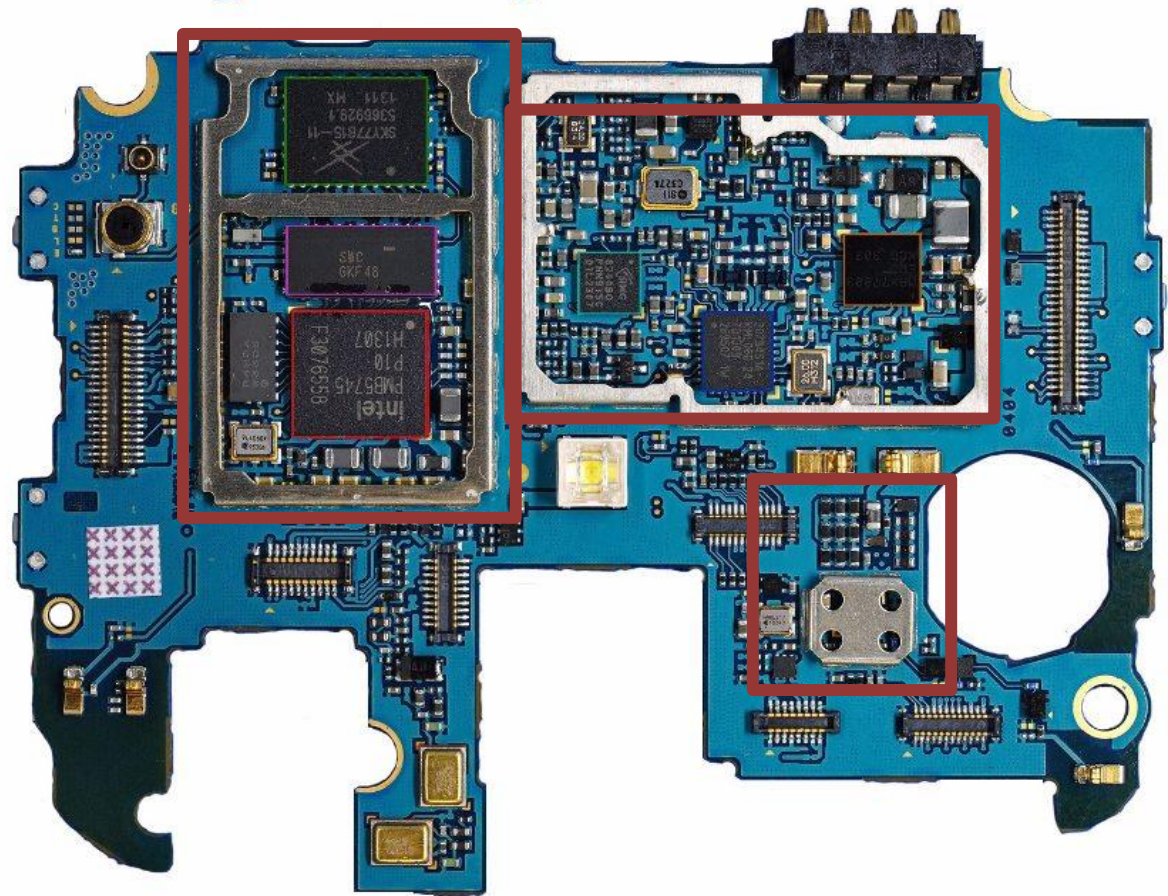


COMPONENTS

Samsung Galaxy S4

COMMUNICATIONS BOARD, BACK

- Intel PMB5745
Intel SMARTI UE3 RF Transceiver
- Broadcom BCM20794
NFC controller IC
- SkyWorks SKY77615-11
Multimode Multiband Power Amplifier Module (WCDMA-HSDPA-HSUPA)
- Murata SWC GKF48
Antenna Switch Module
- Maxim MAX77803
Power Management
- SIMG (Silicon Image) Sil8240
MHL 2.0 transmitter with HDMI input



LG G3

